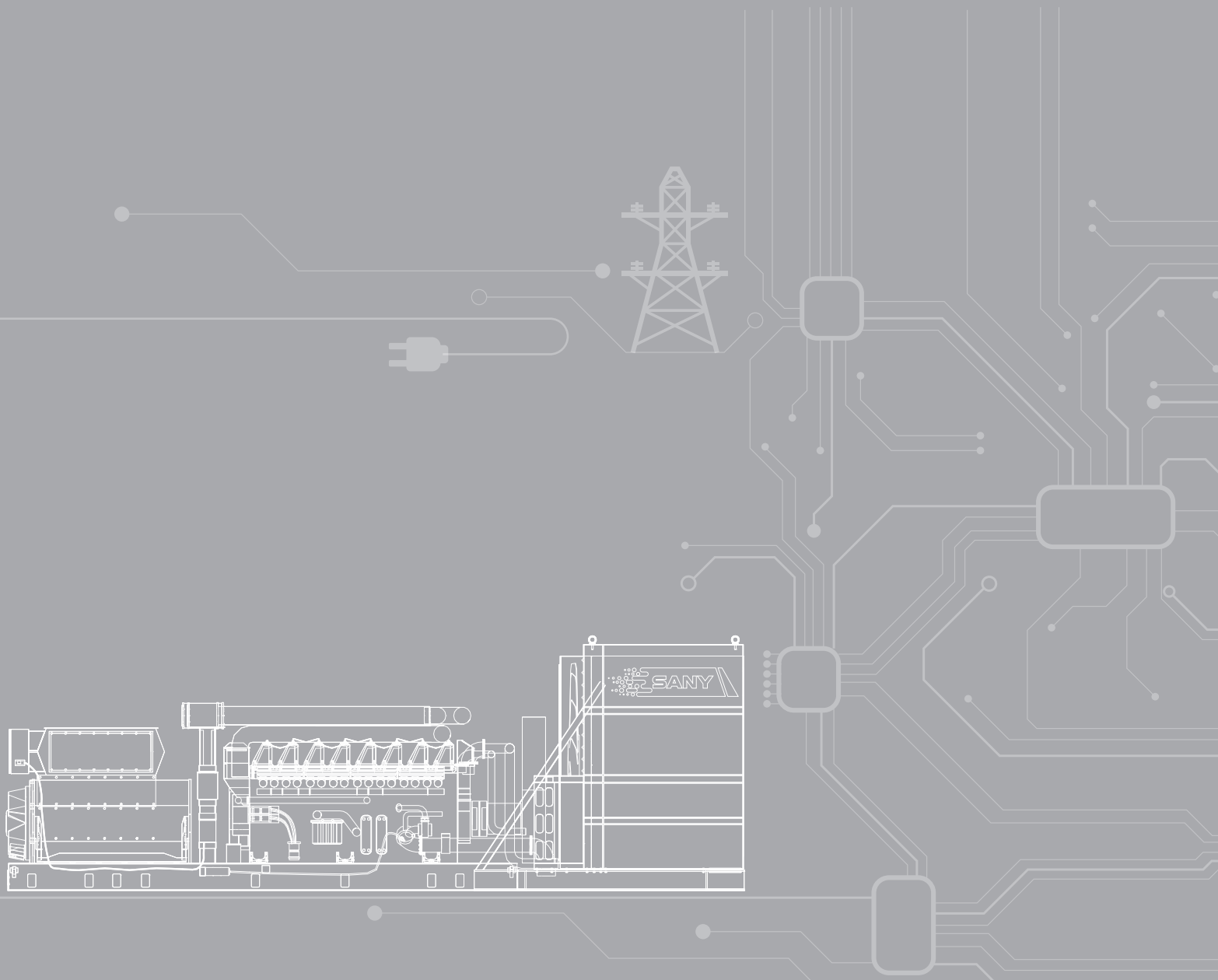




Intelligent Power Overall Solution Provider

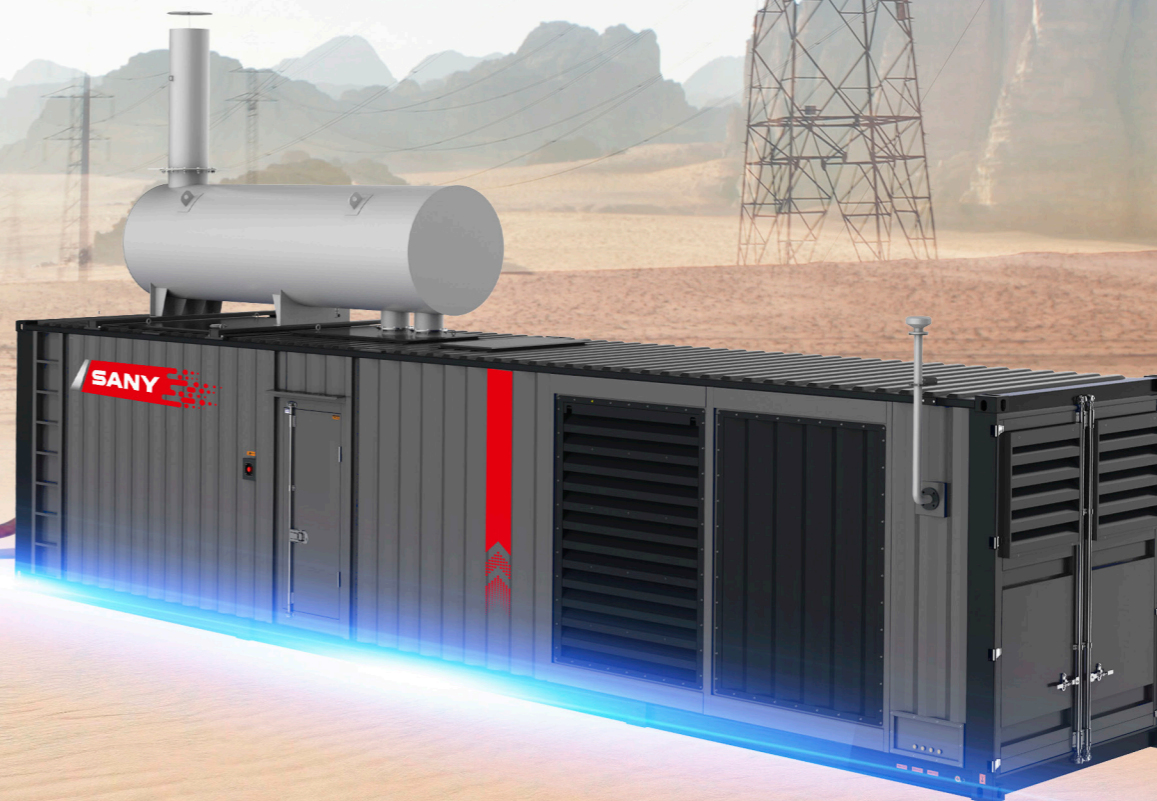


# SANY GENERATOR SET





**INTELLIGENT POWER**  
**OVERALL SOLUTION PROVIDER**





# CONTENTS



<b>01</b>	<b>IMPRESSION · COMPANY</b>	
	SANY Group Introduction	02
	Introduction to HDP	02
<b>02</b>	<b>WISDOM · PRODUCTS</b>	
	Products Introduction	03
	Product Highlights	05
	Technical Advantage	09
	Products Spectrum	11
<b>03</b>	<b>INNOVATION · APPLICATION</b>	
	Application Cases	21
<b>04</b>	<b>REASSURANCE · SERVICE</b>	
	Service Philosophy	23
	Service Policy	24
<b>05</b>	<b>DISCOVERY · FUTURE</b>	
	Unlimited Empowermen	25



# IMPRESSION

## COMPANY Intelligent power overall solution provider

**Sany Corporate Philosophy:** Quality Changes the World

**Company Vision:** creating first-class enterprises, cultivating first-class talents and making first-class contributions



## GROUP INTRODUCTION

SANY Group Co., Ltd. was founded in 1989 with the vision of "creating first-class enterprises, cultivating first-class talents and making first-class contributions".

SANY Group's business covers a wide range of products, including concrete machinery, excavator, lifting machinery, road construction machinery, piling machinery, wind power equipment, new energy heavy trucks, port machinery, petroleum equipment, mining equipment, PC for assembled buildings, and hydrogen energy equipment. It owns three listed companies, namely SANY Heavy Industry (SH, 600031), SANY International (HK, 00631) and SANY Heavy Energy (SH, 688349), and wholly-owned holdings of "the world's No. 1 brand of concrete machinery" Putzmeister, Germany, and shareholding in "the world's largest truck crane giant" Palfinger, Austria.

SANY Group is listed on the Forbes Global 500 list, and its SANY Heavy Industry is No. 1 in China and No. 2 in the world in the field of construction machinery, of which concrete machinery ranks No. 1 in the world, and excavators are No. 1 in global sales.

SANY Group has industrial parks in Changsha, Beijing, Shanghai, Shenyang, Kunshan, Zhuhai and Urumqi, as well as R&D and manufacturing centers in India, the U.S., Germany and Brazil, and its business covers more than 150 countries and regions around the world.

Based on the main business of equipment manufacturing, SANY Group is vigorously developing new businesses such as environmental protection equipment, renewable energy, housing industrialization and industrial Internet. At present, SANY Group has become a mature PC building industrialization equipment provider in China. SANY Heavy Energy is a provider of complete wind power solutions and renewable clean energy in China.

## COMPANY INTRODUCTION

Hunan Deutz is a joint venture between SANY Group and Deutz in 2019, integrating product development, production, sales and service as one of the engine manufacturing enterprises. At present, there are nearly 500 employees, 200+ R&D personnel, with international leading automated production equipment, professional management, R&D, production, and perfect sales and service team, which provides a strong guarantee for the quality of the products, large-scale and standardized production, and fast delivery. Our products are exported to America, Europe, Asia, Africa and other countries and regions.

At present, the company has more than 160 engine products, with a displacement range of 2L-14L and a power range of 18-450kW. The whole series of engines can meet the emission standards of off-road CN III, CN IV, and Stage4/5; on-road CN VI, and on-road Euro III, Euro V and Euro VI emission standards.

The power range of the company's genset products covers 14-3190kW, and the frequency of the genset is 50Hz, 60Hz, 400Hz and so on. The output voltage of the generator sets ranges from DC48-65V, AC108V-13800V and so on.





# WISDOM

**PRODUCTS** Intelligent power overall solution provider

## 1 Products Introduction



Hunan DEUTZ's current main products are: **Gensets and Engines**

**Genset :**

Hunan DEUTZ Genset covers 3 categories of products: diesel genset, gas genset and methanol genset, including Open type, container type, silent box type, trailer type, vehicle-mounted type and so on.

**Engine:**

Hunan DEUTZ engine products cover diesel engines (D series, M series, T series), gas engines (N series), hybrid engines (D, M series), hydrogen engines (H series) and so on.



## 2 Product Highlights

### Container Type, Silent Box Type

**Stable power generation performance**  
Compact structure, excellent workmanship, large power reserve, stable power generation performance.

**High safety**  
Equipped with a full range of unit protection system and fault display system, easy to operate, to ensure the safety of man and machine.

**Strong adaptability**  
The product is adapted to various application scenarios and high altitude areas.



Power range	14~3190kW
Voltage	400V、480V Voltage outputs are available for DC48-65V and AC108V-AC13800V.
Frequency	50Hz/60Hz
Application scenario	Theaters, hospitals, supermarkets, schools, public buildings, industrial and mining enterprises, telecommunications, finance, data centers, real estate, field engineering construction, airports and terminals, mines, oil fields, etc.



### Open Type

**Stable power generation performance**  
Compact structure, excellent workmanship, large power reserve, stable power generation performance.

**High safety**  
Equipped with a full range of unit protection system and fault display system, easy to operate, to ensure the safety of man and machine.

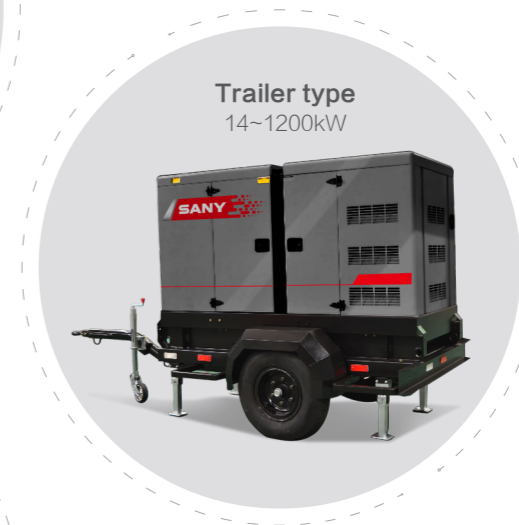
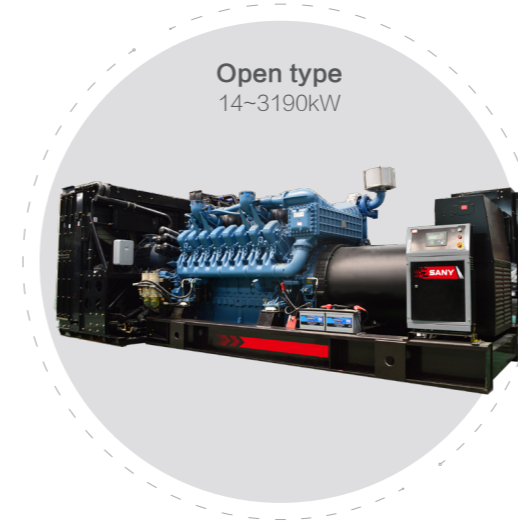
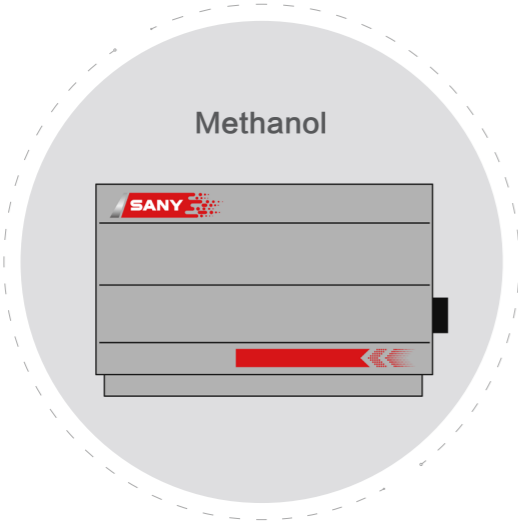
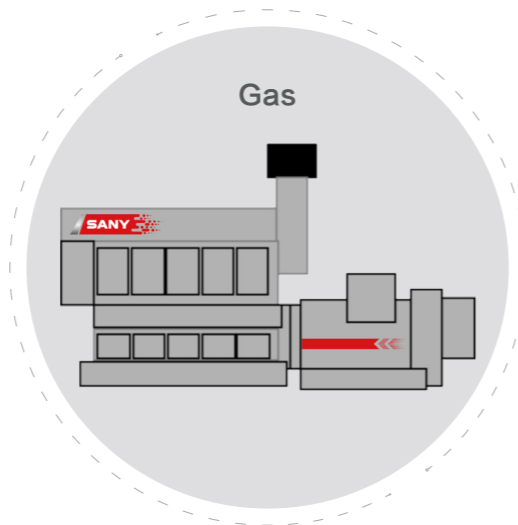
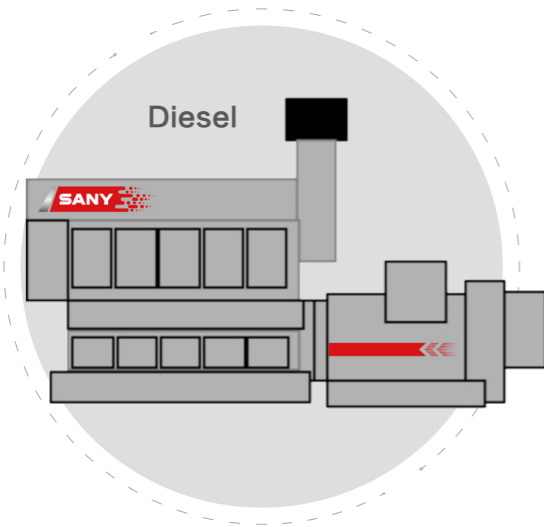
**Strong adaptability**  
Highly efficient vibration damping system design absorbs more than 95% of the unit's vibration, significantly reducing the requirements for foundation. Multi-level protection class IP21-23 optional design, can adapt to different server room environment.

Power range	14~3190kW
Voltage	400V、480V Voltage outputs are available for DC48-65V and AC108V-AC13800V.
Frequency	50Hz/60Hz
Application scenario	Islands, remote rural areas, mining areas, pastoral areas, desert plateaus, workstations, post and telecommunications data centers, telecommunications, banks, public buildings, industrial and mining enterprises, telecommunications, finance, data centers, real estate, nuclear power plants, ultra-high-rise buildings, etc.



## | Three Product Categories

- Diesel genset
- Gas genset
- Methanol genset



## | Five Product Types

- Open type
- Container type
- Silent box type
- Trailer type
- Vehicle-mounted type



## | Eight Strengths



### Highly efficient noise reduction

The use of special noise reduction and muffling materials and the optimization and combination of various noise reduction solutions through simulation greatly reduce the operating noise of the unit and reduce the impact on the surrounding environment.



### Modular design

The modular design allows for a better fit to customer-specific needs and applications, as well as local regulatory requirements.



### Maximize benefits

Through the standardization of product design, parts and components are highly versatile, and better products are manufactured with lower material costs;

Short supply cycle, high reliability and long overhaul period;

Advanced fuel injection control system, strong power, low fuel consumption rate, low operating costs.



### Control system

Adopt microprocessor as the core of the digital system, a variety of languages can be selected to achieve automatic control through the ATS connected to the power supply to realize the automatic switching between the utility power and backup power, but also to achieve a number of generator sets connected in parallel to further meet the demand for power supply of generator sets.



### High efficiency alternator

The excitation system of the alternator adopts the most advanced solid-state automatic voltage regulator (AVR) or digital voltage regulation (DVR). The windings are made of high-quality, high-temperature and high-voltage resistant enameled wires, insulating materials and insulating varnishes to ensure the reliability of the electrical appliances and insulation safety.



### Top Brand Engines

Adopting the world's top brand engine, the most advanced fuel high-pressure common rail technology (for some models), in order to achieve the best fuel consumption rate.



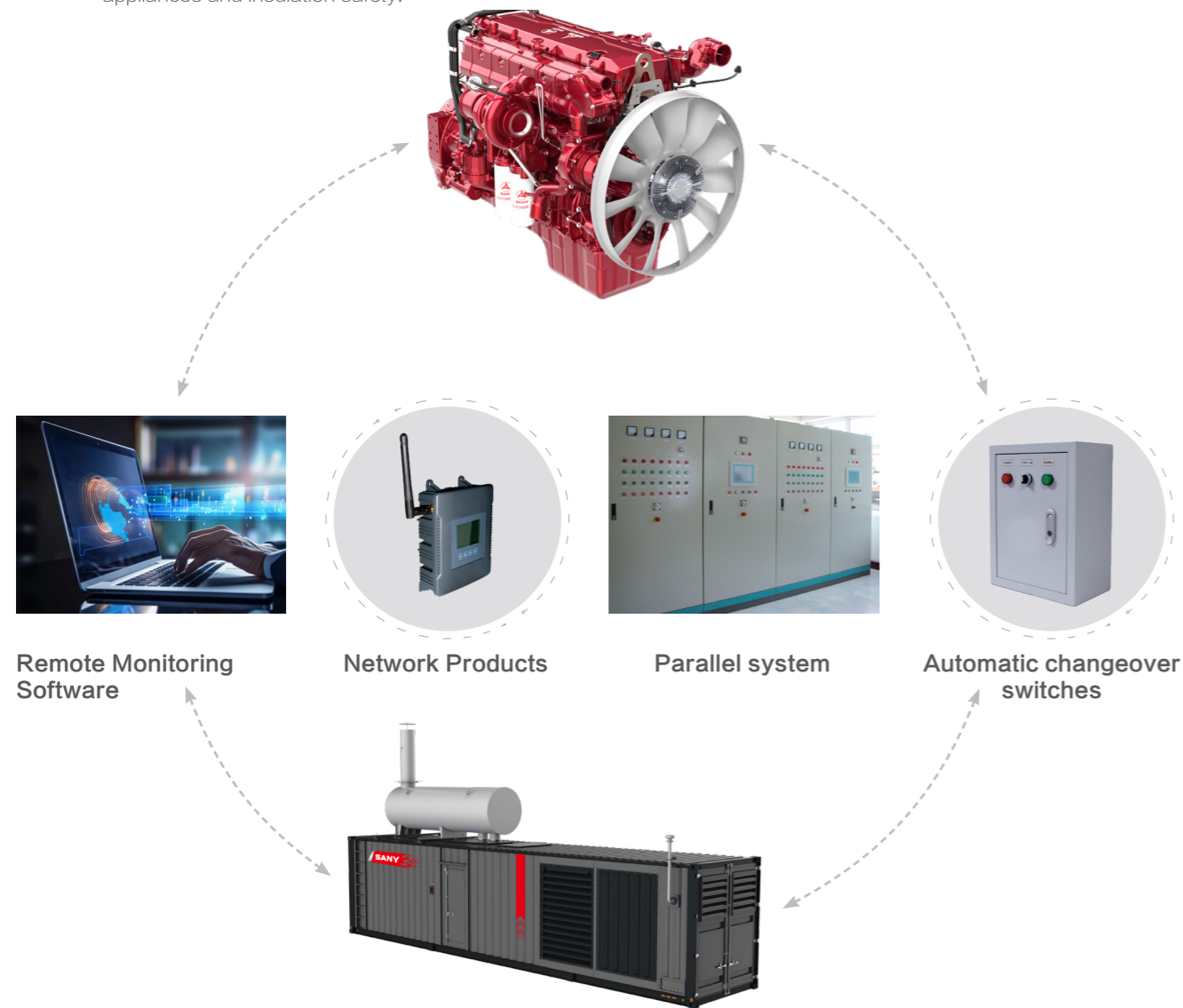
### Reliable operation

Through three-dimensional construction, finite element simulation software for load bearing and vibration calculation of the unit and many long-time operation tests, the vibration of the unit is effectively reduced to ensure stable and reliable operation. The system can be self-started, self-watched and self-diagnosed, with cloud monitoring service platform and.



### Equipment safety

The control system and the host computer are connected by quick-connect aviation quick-plug, and the cable outlet is fastened by high-quality stuffing box, which is safer.





### 3 Technical Advantages

#### Integrated solutions

Provide integrated solutions for power supply for large projects;

Provide a full range of services such as design, manufacture, installation, commissioning and after-sales service for large-scale power stations;

Meeting different kinds of size requirements and satisfying customers' customized services in an all-round way.



#### Hunan Deutz engine

+ standard Leroy Somer alternator  
(Stanford option)

+ standard DEIF (SmartGeni option)

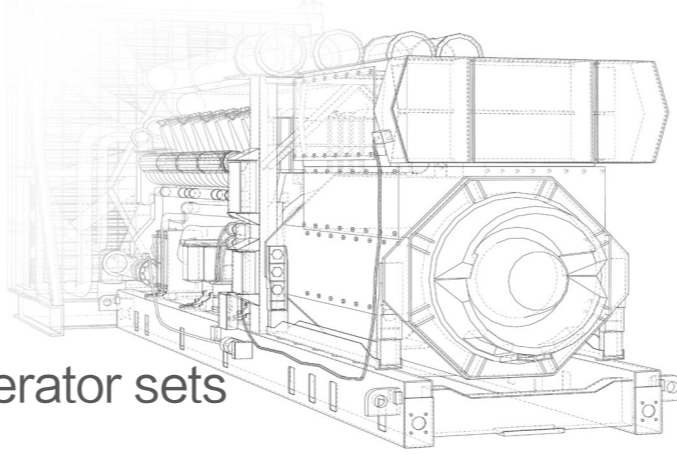
- More specifications, full range, better fuel economy, power and reliability, long working life;
- Compact structure, excellent workmanship, large power reserve;
- Efficient cooling system, the unit exhaust heat dissipation is sufficient;
- Equipped with grounding protection, emergency stop button, quick socket, simple operation;
- Equipped with a full range of unit protection system and fault display system to ensure the safety of man and machine.

#### Optional Configurations

- Automatic switching, parallel system, grid-connected system and remote control system are optional.
- Optional battery float charger, water heater, oil heater, oil separator, output and input quick-plug, independent fuel tank, diesel oil automatic replenishment device, lubricating oil automatic replenishment device, large-capacity fuel tank unit and other auxiliary equipment;
- Optional trailer-mounted generator sets, vehicle-mounted generator sets, customized appearance structure generator sets;
- Optional IP44/IP55 high protection generator sets, C4/C5 high anti-corrosion grade generator sets, low noise generator sets, generator sets power station.
- The generator sets can be used in the open air in various harsh environments such as mines, high temperature, deserts and the Gobi.



## 4 Products Spectrum



### 50Hz/1500rpm、400V open type diesel generator sets

Stand-alone power ranges from 14 to 2640kW

Model	Rated power		Rated current	Engine Manufacturer	Engine Model
	kVA	kW	A		
SYL0014DK1	18	14	25.3	HUNAN DEUTZ	D03RS2-G1
SYLE0015DK1	19	15	27.1		
SYL0015DK1	19	15	27.1	DEUTZ	BFM3 G1
SYLE0016DK1	20	16	28.9		
SYL0020DK1	25	20	36.1	HUNAN DEUTZ	D03RLS2-G1
SYLE0022DK1	28	22	39.7		
SYL0023DK1	29	23	41.5	DEUTZ	BFM3 G2
SYLE0025DK1	31	25	45.1		
SYL0028DK1	35	28	50.5	HUNAN DEUTZ	D04RS2-G1
SYLE0031DK1	39	31	55.9		
SYL0032DK1	40	32	57.7	DEUTZ	BFM3T
SYLE0035DK1	44	35	63.1		
SYL0037DK1	46	37	66.8	DEUTZ	BFM3C
SYLE0041DK1	51	41	74.0		
SYL0046DK1	58	46	83.0	DEUTZ	BF4M2012
SYLE0051DK1	64	51	92.0		
SYL0055DK1	69	55	99.2	DEUTZ	BF4M2012C G1
SYLE0061DK1	76	61	110.1		
SYL0071DK1	89	71	128.1	DEUTZ	BF4M2012C G2
SYLE0078DK1	98	78	140.7		
SYL0077DK1	96	77	138.9	DEUTZ	BF4M1013EC G1
SYLE0085DK1	106	85	153.4		
SYL0090DK1	113	90	162.4	DEUTZ	BF4M1013EC G2
SYLE0098DK1	123	98	176.8		
SYL0096DK1	120	96	173.2	HUNAN DEUTZ	D05RS2-G4
SYLE0105DK1	131	105	189.4		
SYL0102DK1	128	102	184.0	DEUTZ	BF4M1013FC
SYLE0112DK1	140	112	202.1		
SYL0120DK1	150	120	216.5	DEUTZ	BF6M1013EC G1
SYLE0132DK1	165	132	238.2		
SYL0128DK1	160	128	230.9	HUNAN DEUTZ	D07RS2-G1
SYLE0141DK1	176	141	254.4		
SYL0142DK1	178	142	256.2	DEUTZ	BF6M1013EC G2
SYLE0156DK1	195	156	281.5		
SYL0148DK1	185	148	267.0	DEUTZ	BF6M1013FC G2
SYLE0163DK1	204	163	294.1		
SYL0160DK1	200	160	288.7	HUNAN DEUTZ	D07S3-G1
SYLE0176DK1	220	176	317.6		
SYL0170DK1	213	170	306.7	HUNAN DEUTZ	D07S3-G2
SYLE0187DK1	234	187	337.4		
SYL0200DK1	250	200	360.9	HUNAN DEUTZ	D09S3-G1
SYLE0220DK1	275	220	396.9		
SYL0230DK1	288	230	415.0	HUNAN DEUTZ	D09S3-G2
SYLE0253DK1	316	253	456.5		
SYL0260DK1	325	260	469.1	HUNAN DEUTZ	D12S3-G1
SYLE0280DK1	350	280	505.2		

#### Description

1. The output voltage of the genset is adjustable within the range of 380-420VAC;
2. If the fourth digit of the model number is a number, the generator set has an overload operation capability of  $\leq 10\%$ ;
3. the fourth digit of the model with the letter "E", the generator set power has been adjusted to the maximum, and therefore does not allow overload operation.

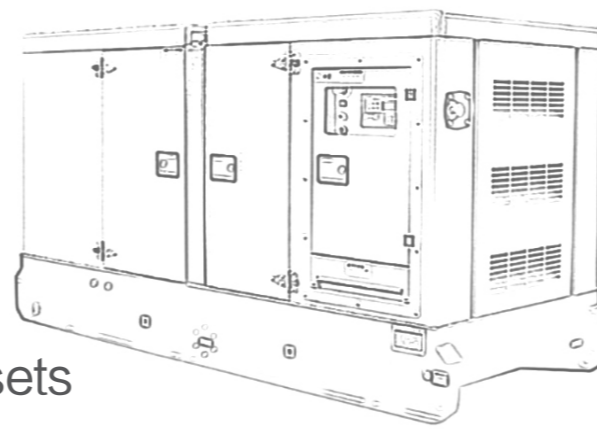
#### Standard conditions:

Ambient Temperature 40°C / Altitude 1000m/ Relative Humidity: 60%.



Model	Rated power		Rated current	Engine Manufacturer	Engine Model
	kVA	kW	A		
SYL0290DK1	363	290	523.2	HUNAN DEUTZ	D12S3-G2
SYLE0318DK1	398	318	573.8		
SYL0360DK1	450	360	649.5	HUNAN DEUTZ	D13S3-G1
SYLE0400DK1	500	400	721.7		
SYL0380DK1	475	380	685.6	HUNAN DEUTZ	D13S3-G2
SYLE0420DK1	525	420	757.8		
SYL0400CK1	500	400	721.7	Cummins	KTA19-G3A
SYLE0440CK1	550	440	793.9		
SYL0440CK1	550	440	793.9	Cummins	KTAA19-G5
SYLE0484CK1	605	484	873.3		
SYLE0550CK1	688	550	992.3	Cummins	KTAA19-G6A
SYL0545CK1	681	545	983.3	Cummins	KTA19-G9A
SYLE0600CK1	750	600	1082.6		
SYL0600CK1	750	600	1082.6	Cummins	QSK19-G20
SYLE0660CK1	825	660	1190.8		
SYL0640CK1	800	640	1154.7	Cummins	KTA38-G2B
SYLE0704CK1	880	704	1270.2		
SYL0730CK1	913	730	1317.1	Cummins	KTA38-G2A
SYLE0800CK1	1000	800	1443.4		
SYL0800CK1	1000	800	1443.4	Cummins	KTA38-G5
SYLE0880CK1	1100	880	1587.8		
SYL0900CK1	1125	900	1623.8	Cummins	KTA38-G9E
SYLE0990CK1	1238	990	1786.2		
SYL1000CK1	1250	1000	1804.3	Cummins	KTA38-G9A
SYLE1100CK1	1375	1100	1984.7		
SYL1080CK1	1350	1080	1948.6	Cummins	KTA50-G12A
SYLE1188CK1	1485	1188	2143.5		
SYL1200CK1	1500	1200	2165.1	Cummins	KTA50-GS8
SYLE1320CK1	1650	1320	2381.6		
SYL1350CK1	1688	1350	2435.8	Cummins	KTA50-G15X
SYLE1500CK1	1875	1500	2706.4		
SYL1450CK1	1813	1450	2616.2	Cummins	KTA50-G16A
SYLE1600CK1	2000	1600	2886.8		
SYL1670MK1	2088	1670	3013.1	MTU	16V4000G23F
SYLE1800MK1	2250	1800	3247.7		
SYL1800MK1	2250	1800	3247.7	MTU	16V4000G63F
SYLE2000MK1	2500	2000	3608.5		
SYL2000MK1	2500	2000	3608.5	MTU	20V4000G23F
SYLE2200MK1	2750	2200	3969.4		
SYL2200MK1	2750	2200	3969.4	MTU	20V4000G63F
SYLE2460MK1	3075	2460	4438.5		
SYL2400MK1	3000	2400	4330.3	MTU	20V4000G63LF
SYLE2640MK1	3300	2640	4763.3		





## 50Hz/1500rpm、400V silent diesel generator sets

Stand-alone power ranges from 14 to 2640kW

Model	Rated power		Rated current	Engine Manufacturer	Engine Model
	kVA	kW	A		
SYL0014DJ1	18	14	25.3	HUNAN DEUTZ	D03RS2-G1
SYLE0015DJ1	19	15	27.1		
SYL0015DJ1	19	15	27.1	DEUTZ	BFM3 G1
SYLE0016DJ1	20	16	28.9		
SYL0020DJ1	25	20	36.1	HUNAN DEUTZ	D03RLS2-G1
SYLE0022DJ1	28	22	39.7		
SYL0023DJ1	29	23	41.5	DEUTZ	BFM3 G2
SYLE0025DJ1	31	25	45.1		
SYL0028DJ1	35	28	50.5	HUNAN DEUTZ	D04RS2-G1
SYLE0031DJ1	39	31	55.9		
SYL0032DJ1	40	32	57.7	DEUTZ	BFM3T
SYLE0035DJ1	44	35	63.1		
SYL0037DJ1	46	37	66.8	DEUTZ	BFM3C
SYLE0041DJ1	51	41	74.0		
SYL0046DJ1	58	46	83.0	DEUTZ	BF4M2012
SYLE0051DJ1	64	51	92.0		
SYL0055DJ1	69	55	99.2	DEUTZ	BF4M2012C G1
SYLE0061DJ1	76	61	110.1		
SYL0071DJ1	89	71	128.1	DEUTZ	BF4M2012C G2
SYLE0078DJ1	98	78	140.7		
SYL0077DJ1	96	77	138.9	DEUTZ	BF4M1013EC G1
SYLE0085DJ1	106	85	153.4		
SYL0090DJ1	113	90	162.4	DEUTZ	BF4M1013EC G2
SYLE0098DJ1	123	98	176.8		
SYL0096DJ1	120	96	173.2	HUNAN DEUTZ	D05RS2-G4
SYLE0105DJ1	131	105	189.4		
SYL0102DJ1	128	102	184.0	DEUTZ	BF4M1013FC
SYLE0112DJ1	140	112	202.1		
SYL0120DJ1	150	120	216.5	DEUTZ	BF6M1013EC G1
SYLE0132DJ1	165	132	238.2		
SYL0128DJ1	160	128	230.9	HUNAN DEUTZ	D07RS2-G1
SYLE0141DJ1	176	141	254.4		
SYL0142DJ1	178	142	256.2	DEUTZ	BF6M1013EC G2
SYLE0156DJ1	195	156	281.5		
SYL0148DJ1	185	148	267.0	DEUTZ	BF6M1013FC G2
SYLE0163DJ1	204	163	294.1		
SYL0160DJ1	200	160	288.7	HUNAN DEUTZ	D07S3-G1
SYLE0176DJ1	220	176	317.6		
SYL0170DJ1	213	170	306.7	HUNAN DEUTZ	D07S3-G2
SYLE0187DJ1	234	187	337.4		
SYL0200DJ1	250	200	360.9	HUNAN DEUTZ	D09S3-G1
SYLE0220DJ1	275	220	396.9		
SYL0230DJ1	288	230	415.0	HUNAN DEUTZ	D09S3-G2
SYLE0253DJ1	316	253	456.5		
SYL0260DJ1	325	260	469.1	HUNAN DEUTZ	D12S3-G1
SYLE0280DJ1	350	280	505.2		

### Description

1. The output voltage of the genset is adjustable within the range of 380-420VAC;
2. If the fourth digit of the model number is a number, the generator set has an overload operation capability of  $\leq 10\%$ ;
3. the fourth digit of the model with the letter "E", the generator set power has been adjusted to the maximum, and therefore does not allow overload operation.

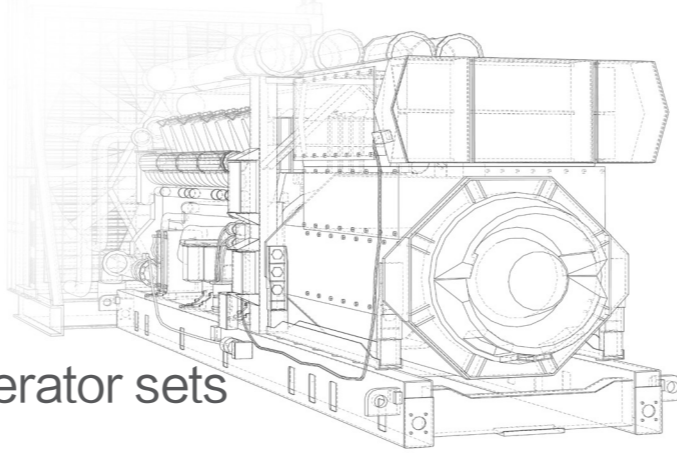
### Standard conditions:

Ambient Temperature 40°C / Altitude 1000m/ Relative Humidity: 60%.



Model	Rated power		Rated current	Engine Manufacturer	Engine Model
	kVA	kW	A		
SYL0290DJ1	363	290	523.2	HUNAN DEUTZ	D12S3-G2
SYLE0318DJ1	398	318	573.8		
SYL0360DJ1	450	360	649.5	HUNAN DEUTZ	D13S3-G1
SYLE0400DJ1	500	400	721.7		
SYL0380DJ1	475	380	685.6	HUNAN DEUTZ	D13S3-G2
SYLE0420DJ1	525	420	757.8		
SYL0400CJ1	500	400	721.7	Cummins	KTA19-G3A
SYLE0440CJ1	550	440	793.9		
SYL0440CJ1	550	440	793.9	Cummins	KTAA19-G5
SYLE0484CJ1	605	484	873.3		
SYLE0550CJ1	688	550	992.3	Cummins	KTAA19-G6A
SYL0545CJ1	681	545	983.3	Cummins	KTA19-G9A
SYLE0600CJ1	750	600	1082.6		
SYL0600CJ1	750	600	1082.6	Cummins	QSK19-G20
SYLE0660CJ1	825	660	1190.8		
SYL0640CC1	800	640	1154.7	Cummins	KTA38-G2B
SYLE0704CC1	880	704	1270.2		
SYL0730CC1	913	730	1317.1	Cummins	KTA38-G2A
SYLE0800CC1	1000	800	1443.4		
SYL0800CC1	1000	800	1443.4	Cummins	KTA38-G5
SYLE0880CC1	1100	880	1587.8		
SYL0900CC1	1125	900	1623.8	Cummins	KTA38-G9E
SYLE0990CC1	1238	990	1786.2		
SYL1000CC1	1250	1000	1804.3	Cummins	KTA38-G9A
SYLE1100CC1	1375	1100	1984.7		
SYL1080CC1	1350	1080	1948.6	Cummins	KTA50-G12A
SYLE1188CC1	1485	1188	2143.5		
SYL1200CC1	1500	1200	2165.1	Cummins	KTA50-GS8
SYLE1320CC1	1650	1320	2381.6		
SYL1350CC1	1688	1350	2435.8	Cummins	KTA50-G15X
SYLE1500CC1	1875	1500	2706.4		
SYL1450CC1	1813	1450	2616.2	Cummins	KTA50-G16A
SYLE1600CC1	2000	1600	2886.8		
SYL1670MC1	2088	1670	3013.1	MTU	16V4000G23F
SYLE1800MC1	2250	1800	3247.7		
SYL1800MC1	2250	1800	3247.7	MTU	16V4000G63F
SYLE2000MC1	2500	2000	3608.5		
SYL2000MC1	2500	2000	3608.5	MTU	20V4000G23F
SYLE2200MC1	2750	2200	3969.4		
SYL2200MC1	2750	2200	3969.4	MTU	20V4000G63F
SYLE2460MC1	3075	2460	4438.5		
SYL2400MC1	3000	2400	4330.3	MTU	20V4000G63LF
SYLE2640MC1	3300	2640	4763.3		





# 60Hz/1800rpm、480V open type diesel generator sets

Stand-alone power ranges from 16 ~ 3190kW

### Description

1. The output voltage of the genset is adjustable within the range of 420-480VAC;
2. If the fourth digit of the model number is a number, the generator set has an overload operation capability of  $\leq 10\%$ ;
3. the fourth digit of the model with the letter "E", the generator set power has been adjusted to the maximum, and therefore does not allow overload operation.



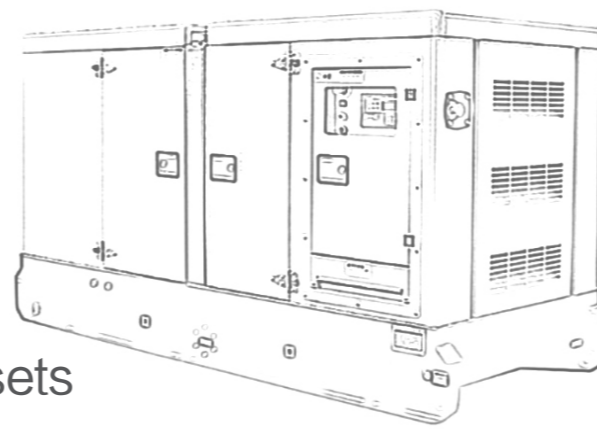
### Standard conditions:

Ambient Temperature 40°C / Altitude 1000m/ Relative Humidity: 60%.

Model	Rated power		Rated current	Engine Manufacturer	Engine Model
	kVA	kW	A		
SYL0016D6K1	20	16	24.1	HUNAN DEUTZ	D03RS2-G3
SYLE0018D6K1	23	18	27.1		
SYL0020D6K1	25	20	30.1	DEUTZ	BFM3 G1
SYLE0022D6K1	28	22	33.1		
SYL0022D6K1	28	22	33.1	HUNAN DEUTZ	D03RLS2-G2
SYLE0024D6K1	30	24	36.1		
SYL0028D6K1	35	28	42.1	DEUTZ	BFM3 G2
SYLE0030D6K1	38	30	45.1		
SYL0036D6K1	45	36	54.1	HUNAN DEUTZ	D04RS2-G2
SYLE0040D6K1	50	40	60.1		
SYL0038D6K1	48	38	57.1	DEUTZ	BFM3T
SYLE0042D6K1	53	42	63.1		
SYL0047D6K1	59	47	70.7	DEUTZ	BFM3C
SYLE0052D6K1	65	52	78.2		
SYL0054D6K1	68	54	81.2	DEUTZ	BF4M2012
SYLE0060D6K1	75	60	90.2		
SYL0064D6K1	80	64	96.2	DEUTZ	BF4M2012C G1
SYLE0070D6K1	88	70	105.2		
SYL0078D6K1	98	78	117.3	DEUTZ	BF4M2012C G2
SYLE0085D6K1	106	85	127.8		
SYL0080D6K1	100	80	120.3	DEUTZ	BF4M1013EC G1
SYLE0088D6K1	110	88	132.3		
SYL0093D6K1	116	93	139.8	DEUTZ	BF4M1013EC G2
SYLE0102D6K1	128	102	153.4		
SYL0104D6K1	130	104	156.4	DEUTZ	BF4M1013FC
SYLE0115D6K1	144	115	172.9		
SYL0128D6K1	160	128	192.5	DEUTZ	BF6M1013EC G1
SYLE0140D6K1	175	140	210.5		
SYL0156D6K1	195	156	234.6	DEUTZ	BF6M1013EC G2
SYLE0172D6K1	215	172	258.6		
SYL0160D6K1	200	160	240.6	DEUTZ	BF6M1013FC G2
SYLE0176D6K1	220	176	264.6		
SYL0180D6K1	225	180	270.6	HUNAN DEUTZ	D07S3-G3
SYLE0200D6K1	250	200	300.7		
SYL0190D6K1	238	190	285.7	HUNAN DEUTZ	D07S3-G4
SYLE0210D6K1	263	210	315.7		
SYL0225D6K1	281	225	338.3	HUNAN DEUTZ	D09S3-G3
SYLE0248D6K1	310	248	372.9		
SYL0263D6K1	329	263	395.4	HUNAN DEUTZ	D09S3-G4
SYLE0290D6K1	363	290	436.0		
SYL0290D6K1	363	290	436.0	HUNAN DEUTZ	D12S3-G3
SYLE0320D6K1	400	320	481.1		
SYL0310D6K1	388	310	466.1	HUNAN DEUTZ	D12S3-G4
SYLE0340D6K1	425	340	511.2		
SYL0360D6K1	450	360	541.3	HUNAN DEUTZ	D13S3-G3
SYLE0400D6K1	500	400	601.4		

Model	Rated power		Rated current	Engine Manufacturer	Engine Model
	kVA	kW	A		
SYL0392D6K1	490	392	589.4	HUNAN DEUTZ	D13S3-G4
SYLE0430D6K1	538	430	646.5		
SYL0360C6K1	450	360	541.3	Cummins	KTA19-G2
SYLE0400C6K1	500	400	601.4		
SYL0408C6K1	510	408	613.5	Cummins	KTA19-G3
SYLE0449C6K1	561	449	675.1		
SYL0455C6K1	569	455	684.1	Cummins	KTA19-G4
SYLE0500C6K1	625	500	751.8		
SYL0490C6K1	613	490	736.7	Cummins	KTAA19-G5
SYLE0540C6K1	675	540	811.9		
SYLE0600C6K1	750	600	902.1	Cummins	KTAA19-G6A
SYL0590C6K1	738	590	887.1	Cummins	QSK19-G8
SYLE0650C6K1	813	650	977.3		
SYL0660C6K1	825	660	992.3	Cummins	KTA38-G1B
SYLE0726C6K1	908	726	1091.6		
SYL0730C6K1	913	730	1097.6	Cummins	KTA38-G2
SYLE0800C6K1	1000	800	1202.8		
SYL0740C6K1	925	740	1112.6	Cummins	KTA38-G2B
SYLE0810C6K1	1013	810	1217.9		
SYL0820C6K1	1025	820	1232.9	Cummins	KTA38-G2A
SYLE0900C6K1	1125	900	1353.2		
SYLE1100C6K1	1375	1100	1653.9	Cummins	KTA38-G9
SYL1130C6K1	1413	1130	1699.0	Cummins	QSK38-G4
SYLE1240C6K1	1550	1240	1864.4		
SYL1300C6K1	1625	1300	1954.6	Cummins	KTA50-G12A
SYLE1430C6K1	1788	1430	2150.1		
SYL1362C6K1	1703	1362	2047.8	Cummins	KTA50-G9
SYLE1500C6K1	1875	1500	2255.3		
SYL1430M6K1	1788	1430	2150.1	MTU	12V4000G43S
SYLE1580M6K1	1975	1580	2375.6		
SYL1580M6K1	1975	1580	2375.6	MTU	12V4000G83S
SYLE1740M6K1	2175	1740	2616.2		
SYL1900M6K1	2375	1900	2856.8	MTU	16V4000G43S
SYLE2090M6K1	2613	2090	3142.4		
SYL2080M6K1	2600	2080	3127.4	MTU	16V4000G83S
SYLE2290M6K1	2863	2290	3443.2		
SYL2280M6K1	2850	2280	3428.1	MTU	20V4000G43S
SYLE2510M6K1	3138	2510	3773.9		
SYL2510M6K1	3138	2510	3773.9	MTU	20V4000G83S
SYLE2760M6K1	3450	2760	4149.8		
SYL2900M6K1	3625	2900	4360.3	MTU	20V4000G83LS
SYLE3190M6K1	3988	3190	4796.4		





## 60Hz/1800rpm、480V silent diesel generator sets

Stand-alone power ranges from 16 ~ 3190kW

Model	Rated power		Rated current	Engine Manufacturer	Engine Model
	kVA	kW	A		
SYL0016D6J1	20	16	24.1	HUNAN DEUTZ	D03RS2-G3
SYLE0018D6J1	23	18	27.1		
SYL0020D6J1	25	20	30.1	DEUTZ	BFM3 G1
SYLE0022D6J1	28	22	33.1		
SYL0022D6J1	28	22	33.1	HUNAN DEUTZ	D03RLS2-G2
SYLE0024D6J1	30	24	36.1		
SYL0028D6J1	35	28	42.1	DEUTZ	BFM3 G2
SYLE0030D6J1	38	30	45.1		
SYL0036D6J1	45	36	54.1	HUNAN DEUTZ	D04RS2-G2
SYLE0040D6J1	50	40	60.1		
SYL0038D6J1	48	38	57.1	DEUTZ	BFM3T
SYLE0042D6J1	53	42	63.1		
SYL0047D6J1	59	47	70.7	DEUTZ	BFM3C
SYLE0052D6J1	65	52	78.2		
SYL0054D6J1	68	54	81.2	DEUTZ	BF4M2012
SYLE0060D6J1	75	60	90.2		
SYL0064D6J1	80	64	96.2	DEUTZ	BF4M2012C G1
SYLE0070D6J1	88	70	105.2		
SYL0078D6J1	98	78	117.3	DEUTZ	BF4M2012C G2
SYLE0085D6J1	106	85	127.8		
SYL0080D6J1	100	80	120.3	DEUTZ	BF4M1013EC G1
SYLE0088D6J1	110	88	132.3		
SYL0093D6J1	116	93	139.8	DEUTZ	BF4M1013EC G2
SYLE0102D6J1	128	102	153.4		
SYL0104D6J1	130	104	156.4	DEUTZ	BF4M1013FC
SYLE0115D6J1	144	115	172.9		
SYL0128D6J1	160	128	192.5	DEUTZ	BF6M1013EC G1
SYLE0140D6J1	175	140	210.5		
SYL0156D6J1	195	156	234.6	DEUTZ	BF6M1013EC G2
SYLE0172D6J1	215	172	258.6		
SYL0160D6J1	200	160	240.6	DEUTZ	BF6M1013FC G2
SYLE0176D6J1	220	176	264.6		
SYL0180D6J1	225	180	270.6	HUNAN DEUTZ	D07S3-G3
SYLE0200D6J1	250	200	300.7		
SYL0190D6J1	238	190	285.7	HUNAN DEUTZ	D07S3-G4
SYLE0210D6J1	263	210	315.7		
SYL0225D6J1	281	225	338.3	HUNAN DEUTZ	D09S3-G3
SYLE0248D6J1	310	248	372.9		
SYL0263D6J1	329	263	395.4	HUNAN DEUTZ	D09S3-G4
SYLE0290D6J1	363	290	436.0		
SYL0290D6J1	363	290	436.0	HUNAN DEUTZ	D12S3-G3
SYLE0320D6J1	400	320	481.1		
SYL0310D6J1	388	310	466.1	HUNAN DEUTZ	D12S3-G4
SYLE0340D6J1	425	340	511.2		
SYL0360D6J1	450	360	541.3	HUNAN DEUTZ	D13S3-G3
SYLE0400D6J1	500	400	601.4		

### Description

1. The output voltage of the genset is adjustable within the range of 420-480VAC;
2. If the fourth digit of the model number is a number, the generator set has an overload operation capability of  $\leq 10\%$ ;
3. the fourth digit of the model with the letter "E", the generator set power has been adjusted to the maximum, and therefore does not allow overload operation.

### Standard conditions:

Ambient Temperature 40°C / Altitude 1000m/ Relative Humidity: 60%.



Model	Rated power		Rated current	Engine Manufacturer	Engine Model
	kVA	kW	A		
SYL0392D6J1	490	392	589.4	HUNAN DEUTZ	D13S3-G4
SYLE0430D6J1	538	430	646.5		
SYL0360C6J1	450	360	541.3	Cummins	KTA19-G2
SYLE0400C6J1	500	400	601.4		
SYL0408C6J1	510	408	613.5	Cummins	KTA19-G3
SYLE0449C6J1	561	449	675.1		
SYL0455C6J1	569	455	684.1	Cummins	KTA19-G4
SYLE0500C6J1	625	500	751.8		
SYL0490C6J1	613	490	736.7	Cummins	KTAA19-G5
SYLE0540C6J1	675	540	811.9		
SYLE0600C6J1	750	600	902.1	Cummins	KTAA19-G6A
SYL0590C6J1	738	590	887.1	Cummins	QSK19-G8
SYLE0650C6J1	813	650	977.3		
SYL0660C6C1	825	660	992.3	Cummins	KTA38-G1B
SYLE0726C6C1	908	726	1091.6		
SYL0730C6C1	913	730	1097.6	Cummins	KTA38-G2
SYLE0800C6C1	1000	800	1202.8		
SYL0740C6C1	925	740	1112.6	Cummins	KTA38-G2B
SYLE0810C6C1	1013	810	1217.9		
SYL0820C6C1	1025	820	1232.9	Cummins	KTA38-G2A
SYLE0900C6C1	1125	900	1353.2		
SYLE1100C6C1	1375	1100	1653.9	Cummins	KTA38-G9
SYL1130C6C1	1413	1130	1699.0	Cummins	QSK38-G4
SYLE1240C6C1	1550	1240	1864.4		
SYL1300C6C1	1625	1300	1954.6	Cummins	KTA50-G12A
SYLE1430C6C1	1788	1430	2150.1		
SYL1362C6C1	1703	1362	2047.8	Cummins	KTA50-G9
SYLE1500C6C1	1875	1500	2255.3		
SYL1430M6C1	1788	1430	2150.1	MTU	12V4000G43S
SYLE1580M6C1	1975	1580	2375.6		
SYL1580M6C1	1975	1580	2375.6	MTU	12V4000G83S
SYLE1740M6C1	2175	1740	2616.2		
SYL1900M6C1	2375	1900	2856.8	MTU	16V4000G43S
SYLE2090M6C1	2613	2090	3142.4		
SYL2080M6C1	2600	2080	3127.4	MTU	16V4000G83S
SYLE2290M6C1	2863	2290	3443.2		
SYL2280M6C1	2850	2280	3428.1	MTU	20V4000G43S
SYLE2510M6C1	3138	2510	3773.9		
SYL2510M6C1	3138	2510	3773.9	MTU	20V4000G83S
SYLE2760M6C1	3450	2760	4149.8		
SYL2900M6C1	3625	2900	4360.3	MTU	20V4000G83LS
SYLE3190M6C1	3988	3190	4796.4		



# INNOVATION

**APPLICATION** Intelligent power overall solution provider

## Application Scenarios



### Industrial Manufacturing



#### Factory Backup Power

Ensure uninterrupted production and avoid losses



#### Vehicle Power Equipment

Meeting safety and energy efficiency requirements



#### Mining equipment

Ensuring safe operation of mining equipment



### Residential district



#### Emergency Backup Power

Bringing security to residential neighborhoods



#### Emergency Communications

Enhancing communications efficiency



#### Trailer Power

Enhancement of the quality of life of the residents by providing a pleasant environment in the residential neighborhoods



### Public facilities



#### Healthcare

Providing high quality medical electricity



#### Education and Research

Securing electricity support for Scientific Research



#### Transportation

Securing transportation power to ensure smooth flow





# REASSURANCE

**SERVICE** Intelligent power overall solution provider

## Service Philosophy

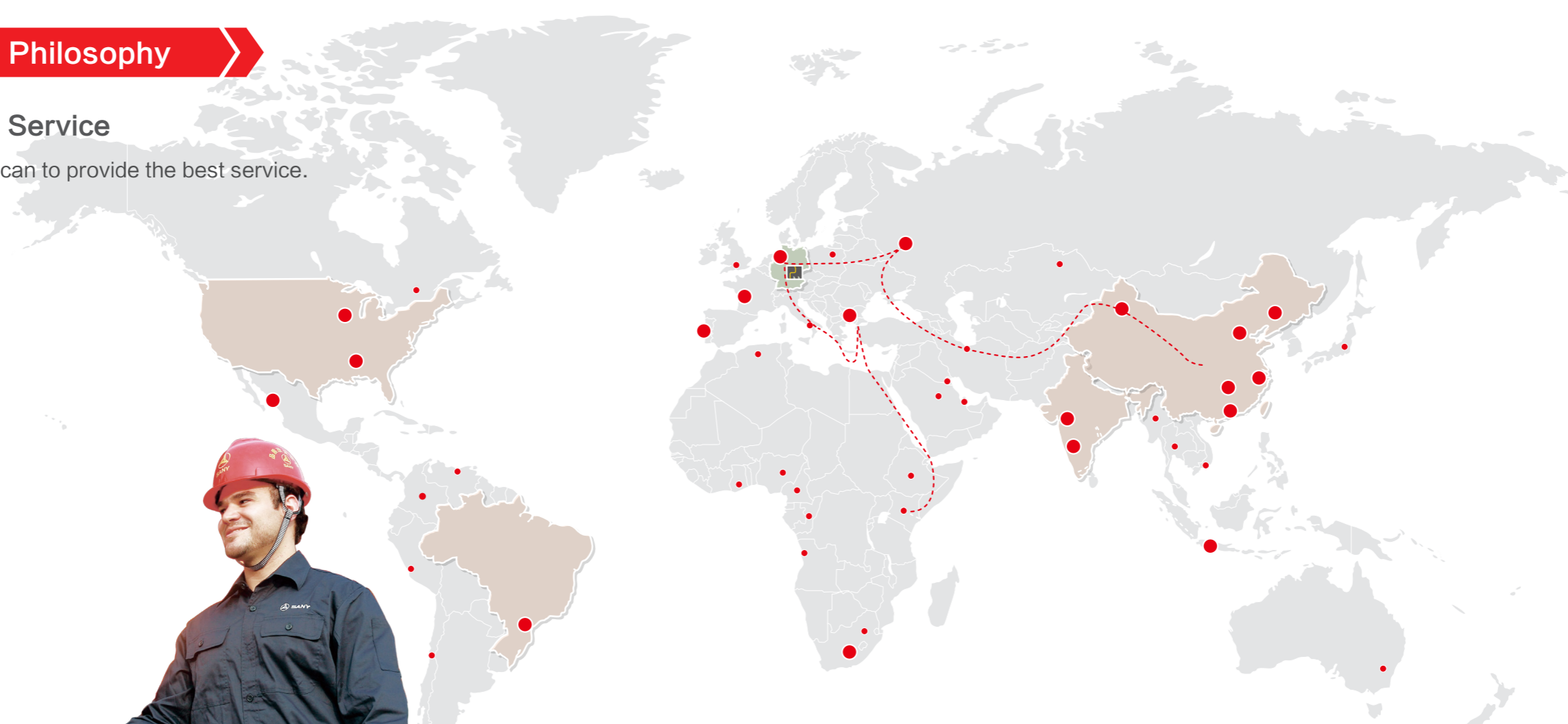
### Worry-Free Service

Do whatever we can to provide the best service.

## Service policy

### Product Warranty

The generator set provides 1 year (or 1000 hours of operation) free warranty service, including the whole generator set warranty. If the warranty period is exceeded, we can provide lifelong paid service.



### Service Network

SANY service network has spread all over the world, with more than 1,700 service centers and 7,000 technical service personnel, which can realize 365x24-hour full-time service.

**1700+**  
1700 service centers

**7000+**  
Technical service personnel

**24h**  
365x24 Full-time service



# DISCOVERY

**FUTURE** Intelligent power overall solution provider

 **Unlimited Empowerment** 

Provide customers with complete solutions for  
generator sets and power system solutions



## Intelligent Power Overall Solution Provider



### HUNAN DEUTZ POWER CO.,LTD.

No. 31 Pai Tou Road, Changsha Economic and Technological Development Zone, Hunan Province,  
ChinaMarketing Service Tel: 400 607 6318

[www.sanygroup.com](http://www.sanygroup.com)

Due to continuous updating of technology, technical parameters and configuration are subject to change without prior notice. The machines shown in the pictures may include additional equipment. This catalog is for reference only and is subject to actual use. The copyright is owned by Hunan DEUTZ. No part of this catalog may be reproduced or copied for any purpose without written permission from Hunan DEUTZ.

© Printed in China No. 2023 October Edition

